

DR Brass Ball Valves

Due to the serious threat that dezincification exposes to our water industry it is essential today that DEZINCIFICATION RESISTANT (DR) valves are used in the appropriate applications. This include DR valves on all potable water services including water tanks.

We offer many configurations of DR ball valves, including male/female threaded valves with optional T/Handle and extension spindle. We can also supply Lilac painted handles for recycled water use.

Materials	
PART	MATERIAL
Body	DR Brass
Seat Retainer	DR Brass
Seat	P.T.F.E.
Ball	DR Brass (Chromium Plated)
Stem	DR Brass
Gland	DR Brass
Packing	Viton (Double O-Ring)
Lever	Stainless Steel (Plastic Coated)
Lever Retaining Nut	Brass
T'Handle (Optional)	DR Brass

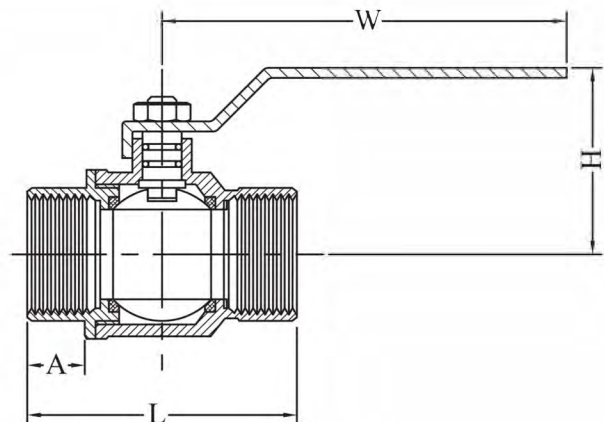
Specifications	
Thread	AS1722.1
Max Working Temperature	150°C (Gas = 60°C)
Cold Working Pressure	2500kPa (Gas = 1050kPa)

Applications - Apart from potable water, it is also approved for the use on low pressure gas services. It can also be used on oils, chemicals and hydrocarbons.



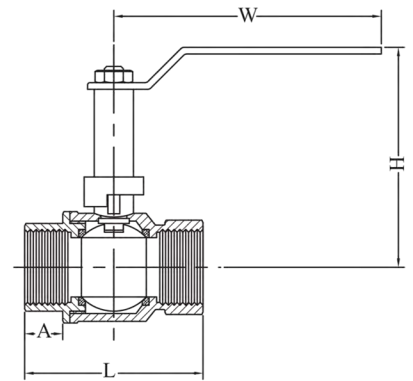
DR Brass Ball Valve

DR Brass Ball Valve							
CODE		IMPERIAL SIZE	L	H	W	A	APPROX. KG/PC
LEVER	LOCKABLE LEVER						
VBBD08		1/4	49.5	35	85	12	0.16
VBBD10		3/8	49.5	35	85	16	0.14
VBBD15	VBBD15L	1/2	60	39	95	16.5	0.2
VBBD20	VBBD20L	3/4	66.5	43	115	18	0.3
VBBD25	VBBD25L	1	76	59.5	115	19.5	0.43
VBBD32	VBBD32L	1 1/4	92.8	63	125	23	0.73
VBBD40	VBBD40L	1 1/2	100.5	77	180	23	1.12
VBBD50	VBBD50L	2	122	89	180	27	1.72
VBBD65		2 1/2	151	112	257	30	3.84
VBBD80		3	174	120	301	37	5.39



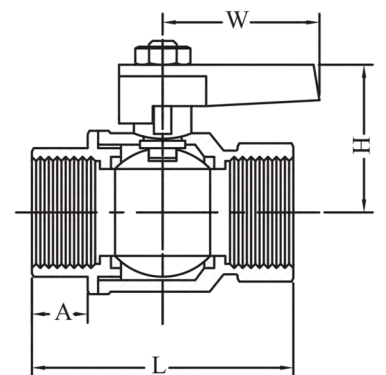
DR Brass Ball Valve Extended Spindle Type

DR Brass Ball Valve Extended Spindle Type						
CODE	IMPERIAL SIZE	L	H	W	A	APPROX. KG/PC
VBBD15EL	1/2	60	89	95	16.5	0.32
VBBD20EL	3/4	66.5	92	115	18	0.45
VBBD25EL	1	76	95	115	19.5	0.6
VBBD32EL	1 1/4	92.8	128	125	23	1.1
VBBD40EL	1 1/2	100.5	132	180	23	1.37
VBBD50EL	2	122	146	180	27	2.06



DR Brass Ball Valve C/W T Handle

DR Brass Ball Valve C/W T Handle						
CODE	IMPERIAL SIZE	L	H	W	A	APPROX. KG/PC
VBBD15TH	1/2	60	56	47	16.5	0.21
VBBD20TH	3/4	66.5	64	59	18	0.32
VBBD25TH	1	76	73	59	19.5	0.45



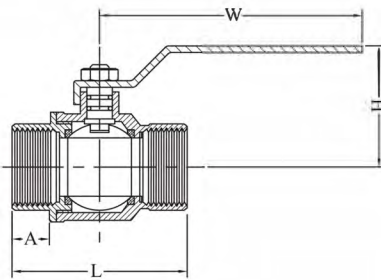
AGA Approved Gas Ball Valve

LICENCE - Australian Gas Association AGA 6017

MATERIALS	
PART	MATERIAL
Body	Brass (Nickel Plated)
Seat Retainer	Brass (Nickel Plated)
Seat	P.T.F.E.
Ball	Brass (Chromium plated)
Stem	Brass
Gland	Brass
Packing	Viton (Double O-Ring)
Lever	Stainless Steel (Plastic Coated)
Lever Retaining Nut	Brass (Nickel Plated)

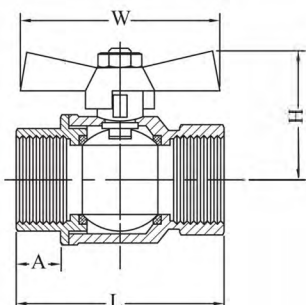
SPECIFICATIONS	
Thread	AS1722.1
Max Working Temperature	60°C
Cold Working Pressure	2500kPa

Application - For low to medium gas applications. Can also be used for certain chemicals and oils



Gas Brass Ball Valve							
CODE		IMPERIAL SIZE	L	H	W	A	APPROX. KG/PC
LEVER	LOCKABLE LEVER						
VGAS08		1/4	49.5	35	85	12	0.16
VGAS10		3/8	49.5	35	85	16	0.14
VGAS15	VGAS15L	1/2	60	39	95	16.5	0.2
VGAS20	VGAS20L	3/4	66.5	43	115	18	0.3
VGAS25	VGAS25L	1	76	59.5	115	19.5	0.43
VGAS32	VGAS32L	1 1/4	92.8	63	125	23	0.74
VGAS40	VGAS40L	1 1/2	100.5	77	180	23	1.12
VGAS50	VGAS50L	2	122	89	180	27	1.72
VGAS65		2 1/2	151	112	257	30	3.48
VGAS80		3	174	120	301	37	5.02
VGAS94		4	212	144	340	40	8.4

Gas Brass Ball Valve with T Handle



Gas Brass Ball Valve with T Handle						
CODE	IMPERIAL SIZE	L	H	W	A	APPROX. KG/PC
VGAS08TH	1/4	49.5	35	48	12	0.16
VGAS10TH	3/8	49.5	35	48	16	0.14
VGAS15TH	1/2	60	35	55	16.5	0.2
VGAS20TH	3/4	66.5	40	55	18	0.3
VGAS25TH	1	76	43	72	19.5	0.43



Stainless Steel Ball Valve (1 PCE)

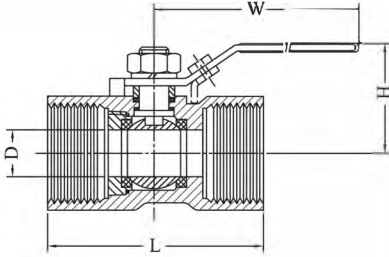


MATERIAL LIST	
PART	MATERIAL
Body	CF8M
Ball	316 Stainless Steel
Seat	Teflon (PTFE)
Stem	316 Stainless Steel
Lever	316 Stainless Steel with Locking Device

SPECIFICATIONS	
Thread	AS1722.1
Max Working Temperature	180°C
Cold Working Pressure	6895kPa

Applications - For air, water, Hot/Cold corrosive fluids in harsh environments

Stainless Steel Ball Valve (1 PCE Reducing Bore)							
CODE	IMPERIAL SIZE	L	H	W	D	TORQUE INCH/LBS	APPROX. KG/PC
SS1BV08	1/4	40	33	67	5	12	0.06
SS1BV10	3/8	45	36	67	7	12	0.1
SS1BV15	1/2	58	37	93	9	12	0.16
SS1BV20	3/4	60	42	93	12.5	18	0.26
SS1BV25	1	71	52	103	16	36	0.38
SS1BV32	1 1/4	78	56	103	20	54	0.61
SS1BV40	1 1/2	82.5	65	125	25	72	0.85
SS1BV50	2	100	70	125	32	84	1.4



Stainless Steel Ball Valve (2 PCE)

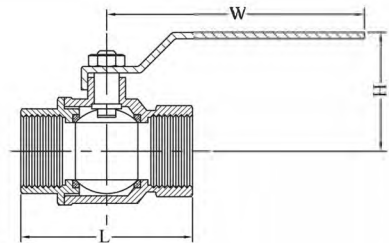


MATERIAL LIST	
PART	MATERIAL
Body	CF8M
Ball	316 Stainless Steel
Seat	Teflon (PTFE)
Stem	316 Stainless Steel
Lever	316 Stainless Steel with Locking Device

SPECIFICATIONS	
Thread	AS1722.1
Max Working Temperature	180°C
Cold Working Pressure	6895kPa

Applications - For air, water, Hot/Cold corrosive fluids in harsh environments

Stainless Steel Ball Valve (2 PCE Full Bore)							
CODE	IMPERIAL SIZE	L	H	W	TORQUE INCH/LBS	APPROX. KG/PC	
SS2BV08	1/4	48	48	100	36	0.18	
SS2BV10	3/8	48	48	100	36	0.19	
SS2BV15	1/2	58	52	100	43	0.26	
SS2BV20	3/4	65.7	61	127	65	0.4	
SS2BV25	1	77	65	127	101	0.59	
SS2BV32	1 1/4	90	79	154	158	1	
SS2BV40	1 1/2	98	83	154	187	1.32	
SS2BV50	2	121	97	192	230	2.46	
SS2BV65	2 1/2	145	135	244	430	4.83	
SS2BV80	3	166	144	244	1380	7.45	

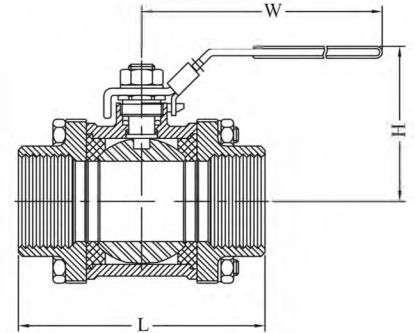


Stainless Steel Ball Valve (3 PCE)

MATERIAL LIST	
PART	MATERIAL
Body	CF8M
Ball	316 Stainless Steel
Seat	Teflon (PTFE)
Stem	316 Stainless Steel
Lever	316 Stainless Steel with Locking Device

SPECIFICATIONS	
Thread	AS1722.1
Max Working Temperature	180°C
Cold Working Pressure	6895kPa

Applications - For air, water, Hot/Cold corrosive fluids in harsh environments



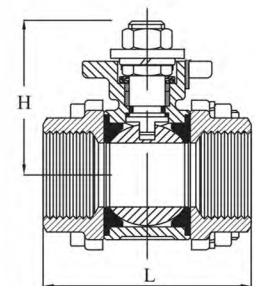
Stainless Steel Ball Valve (3 PCE FULL BORE)						
CODE	IMPERIAL SIZE	L	H	W	TORQUE INCH/LBS	APPROX. KG/PC
SS3BV08	1/4	50	48	100	40	0.29
SS3BV10	3/8	50	48	100	40	0.29
SS3BV15	1/2	63.4	52	100	43	0.39
SS3BV20	3/4	71	61	127	65	0.61
SS3BV25	1	80.6	65	127	101	0.86
SS3BV32	1 1/4	94	79	154	158	1.37
SS3BV40	1 1/2	104	83	154	187	2.04
SS3BV50	2	126.4	97	192	230	3.74
SS3BV65	2 1/2	160	135	244	430	6.44
SS3BV80	3	179.5	144	244	1380	10.20
SS3BV100	4	220	157	280	2400	20.49

Stainless Steel Ball Valve (3 PCE) C/W Actuator Mounting Pad (ISO5211)

MATERIAL LIST	
PART	MATERIAL
Body	CF8M
Ball	316 Stainless Steel
Seat	Teflon (PTFE)
Stem	316 Stainless Steel

SPECIFICATIONS	
Thread	AS1722.1
Max Working Temperature	180°C
Cold Working Pressure	6895kPa

Applications - For air, water, Hot/Cold corrosive fluids in harsh environments



Stainless Steel Ball Valve (3 Piece) C/W Mounting Pad						
CODE	IMPERIAL SIZE	L	H	ØK	ØF	APPROX. KG/PC
SS3BV15MP	1/2	55	58.8	42	42	0.44
SS3BV20MP	3/4	73.6	64.7	42	50	0.83
SS3BV25MP	1	81	67.4	42	50	1.04
SS3BV32MP	1 1/4	91	80	50	70	1.84
SS3BV40MP	1 1/2	103	95.5	50	70	2.48
SS3BV50MP	2	120	93	50	70	3.57
SS3BV65MP	2 1/2	155	140.4	70	102	8.67
SS3BV80MP	3	182	151.5	70	102	12.6
SS3BV100MP	4	218.4	165	70	102	19.65

